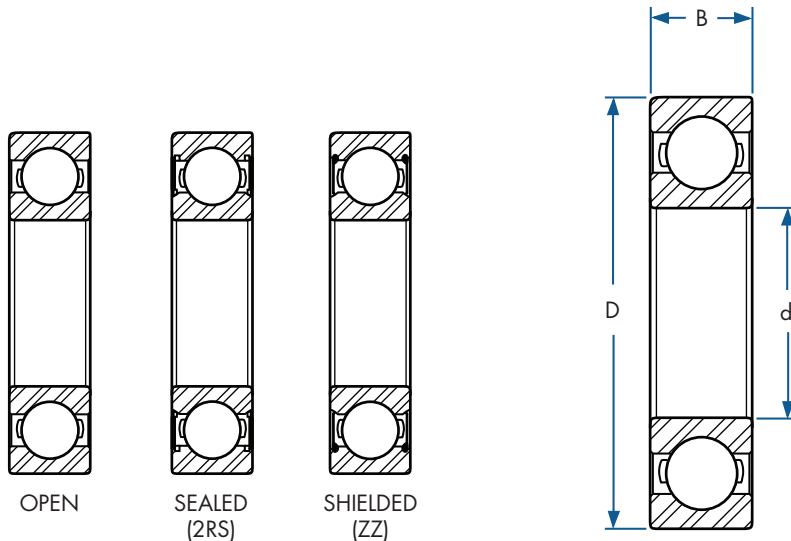


1600 Series – Inch



Bearing Size	Dimensions (in)			Load Rating (lbs)		Limiting Speed (RPM)		
				Dynamic	Static	Grease		Oil
	d	D	B	Cr	Cor	2RS	ZZ/OPEN	OPEN
1601	3/16	11/16	1/4	600	220	28,000	36,000	43,000
1602	1/4	11/16	1/4	635	240	28,000	36,000	43,000
1603	5/16	7/8	9/32	745	310	22,000	31,000	36,000
1604	3/8	7/8	9/32	750	320	22,000	31,000	36,000
1605	5/16	29/32	5/16	745	315	18,000	28,000	33,000
1606	3/8	29/32	5/16	750	320	18,000	28,000	33,000
1607	7/16	29/32	5/16	1,015	430	17,000	27,000	32,000
1614	3/8	1-1/8	3/8	1,140	520	15,000	25,000	28,000
1615	7/16	1-1/8	3/8	1,145	530	15,000	25,000	28,000
1616	1/2	1-1/8	3/8	1,150	450	15,000	25,000	28,000
1620	7/16	1-3/8	7/16	1,690	800	12,000	22,000	26,000
1621	1/2	1-3/8	7/16	1,700	815	12,000	22,000	26,000
1622	9/16	1-3/8	7/16	1,710	825	12,000	22,000	26,000
1623	5/8	1-3/8	7/16	1,720	835	12,000	22,000	26,000
1628	5/8	1-5/8	1/2	2,100	1,095	10,000	17,000	20,000
1630	3/4	1-5/8	1/2	2,110	1,115	10,000	17,000	20,000
1633	5/8	1-3/4	1/2	2,100	1,120	9,000	14,000	16,000
1635	3/4	1-3/4	1/2	2,110	1,140	9,000	14,000	16,000
1638	3/4	2	9/16	2,270	1,290	7,500	12,000	13,000
1640	7/8	2	9/16	2,265	1,315	7,500	12,000	13,000
1641	1	2	9/16	2,260	1,345	7,500	12,000	13,000
1652	1-1/8	2-1/2	5/8	3,603	2,280	5,500	9,000	10,000
1654	1-1/4	2-1/2	5/8	3,600	2,300	5,500	9,000	10,000
1657	1-1/4	2-9/16	11/16	4,400	2,500	3,000	5,000	6,000
1658	1-5/16	2-9/16	11/16	4,370	2,600	3,000	5,000	6,000